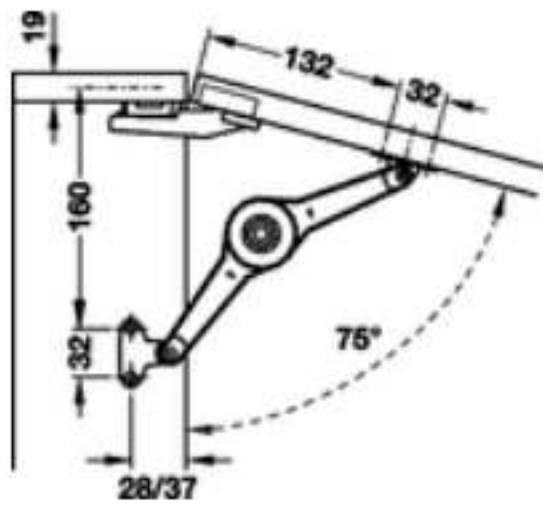
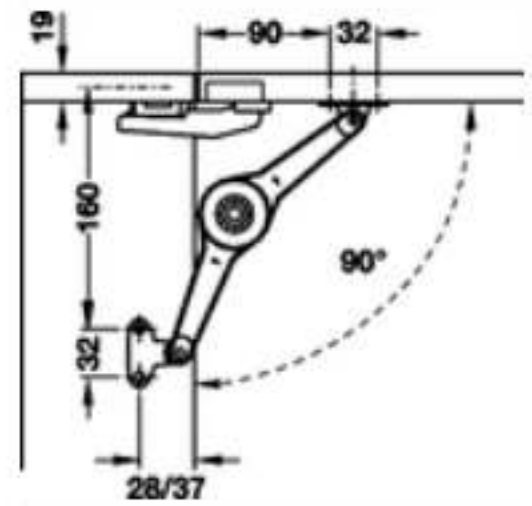


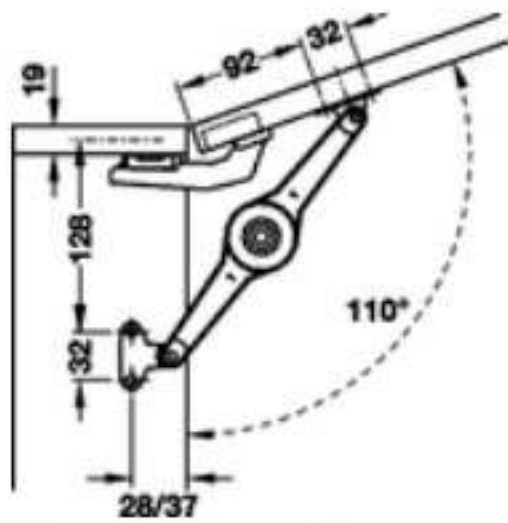
### Installation as lid stay



Opening angle 75°

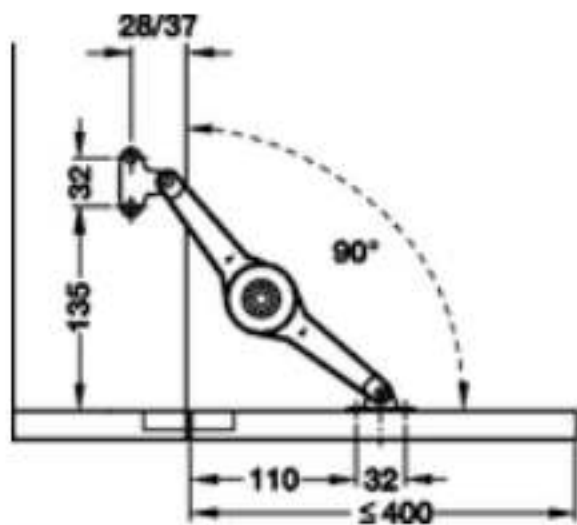


Opening angle 90°

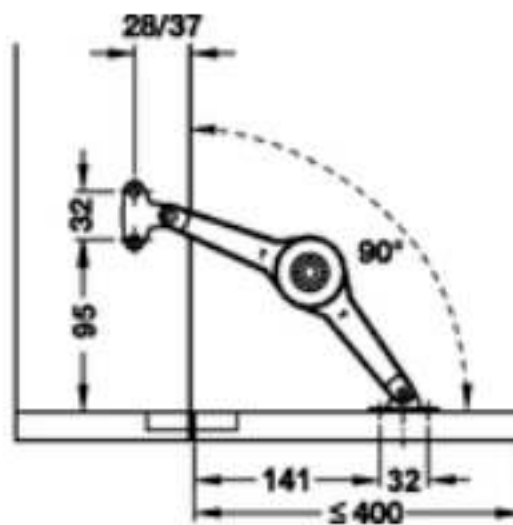


Opening angle 110°

### Installation as flap stay



Separate catch required



Separate catch required