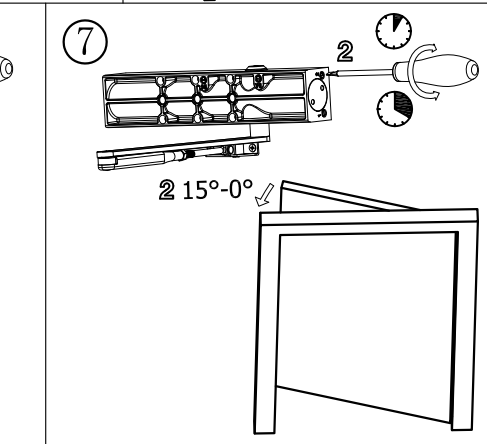
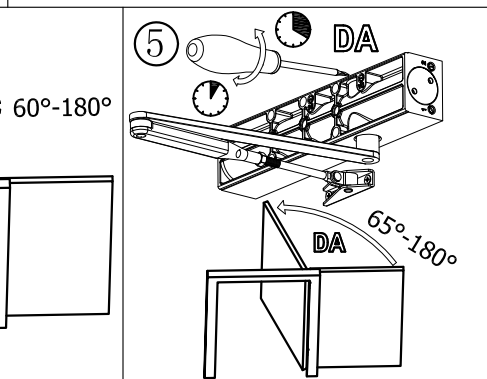
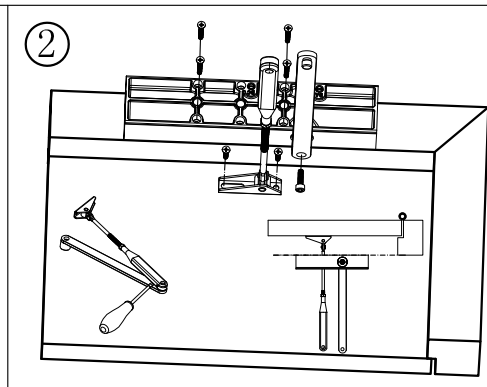
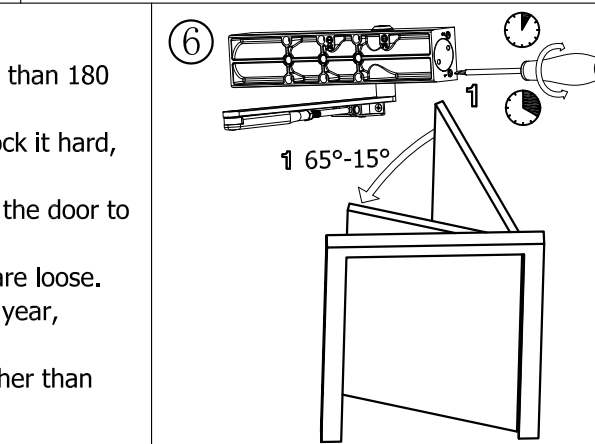
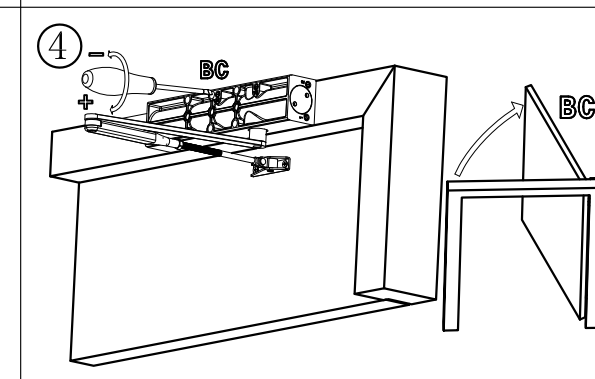
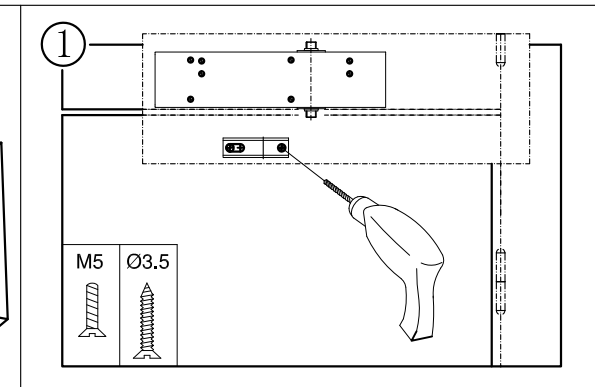
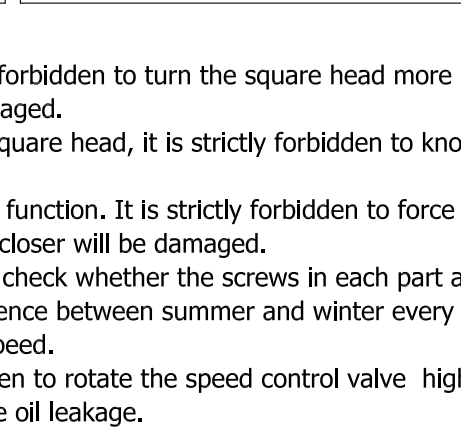
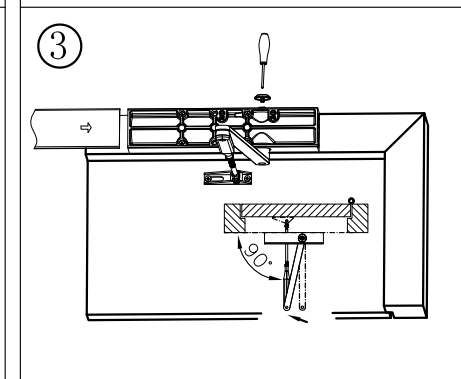
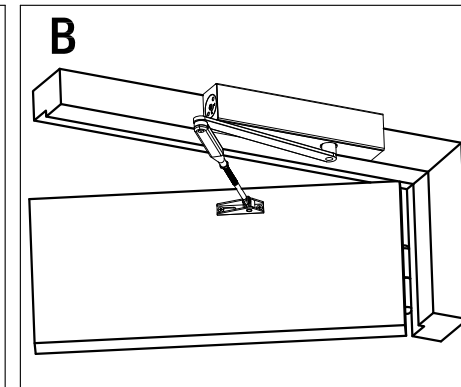
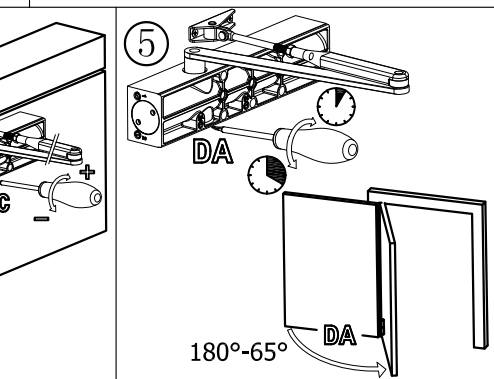
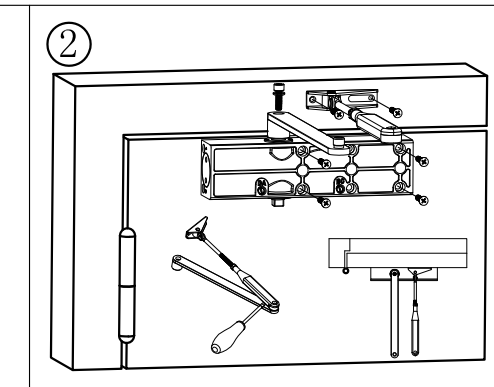
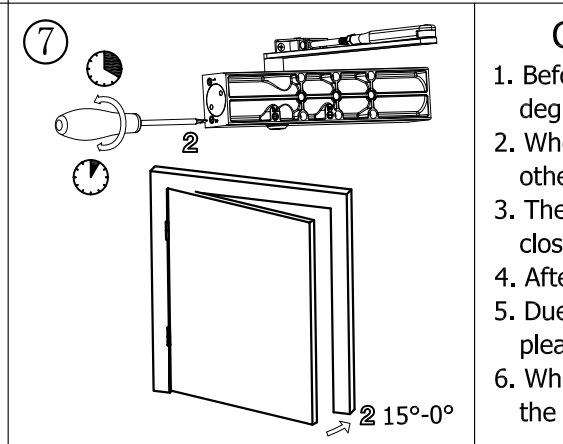
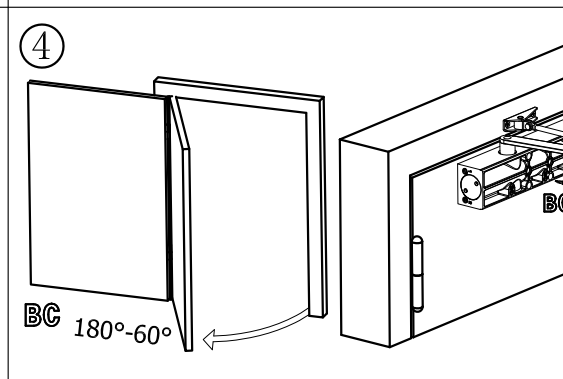
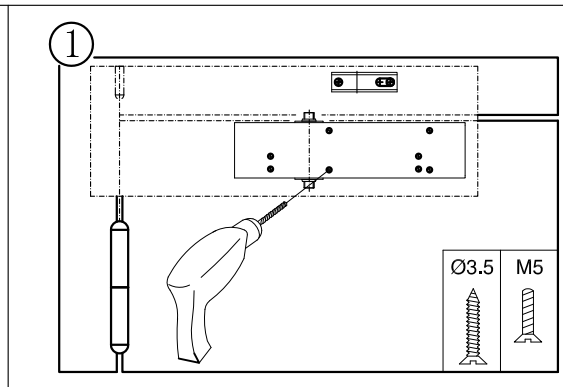
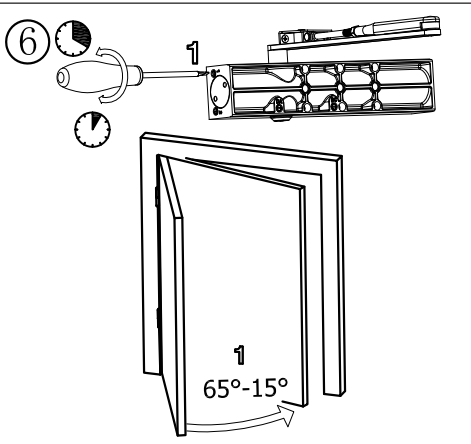
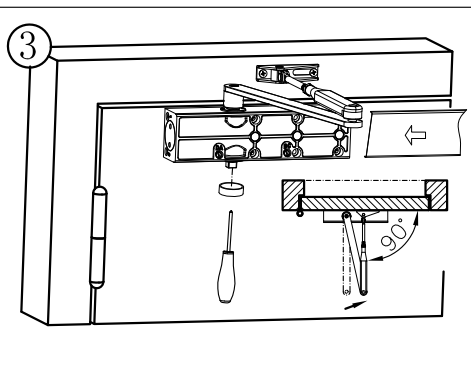
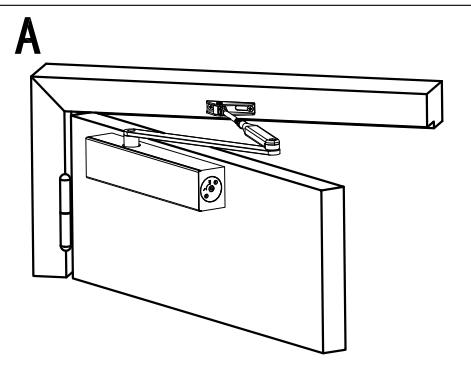
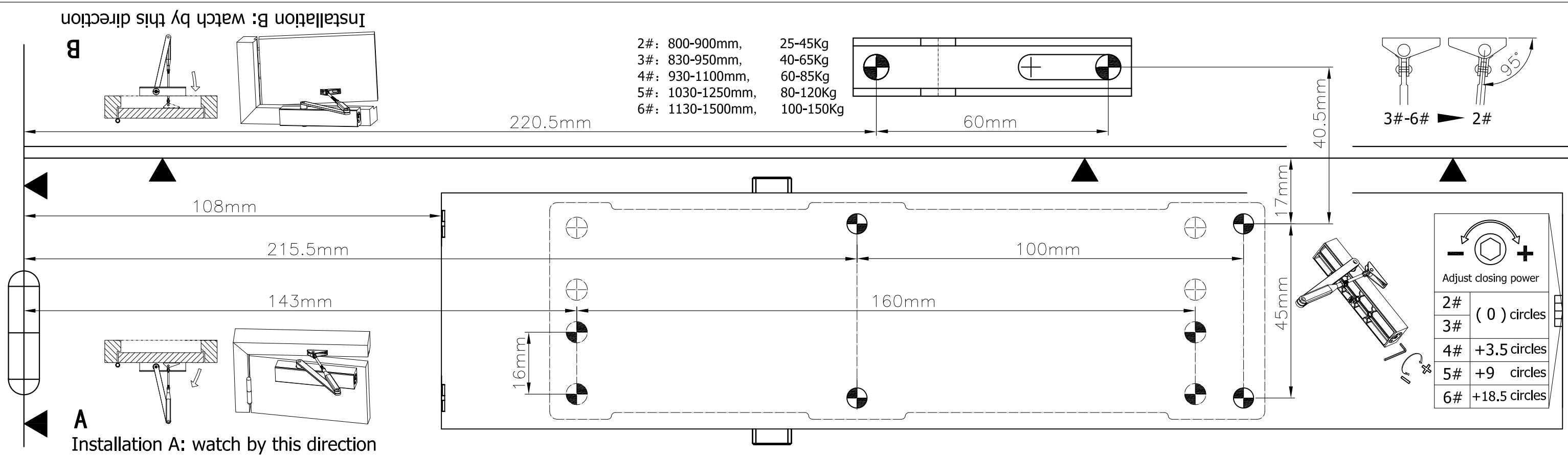


# Hinge Left side

Item No.: 30602

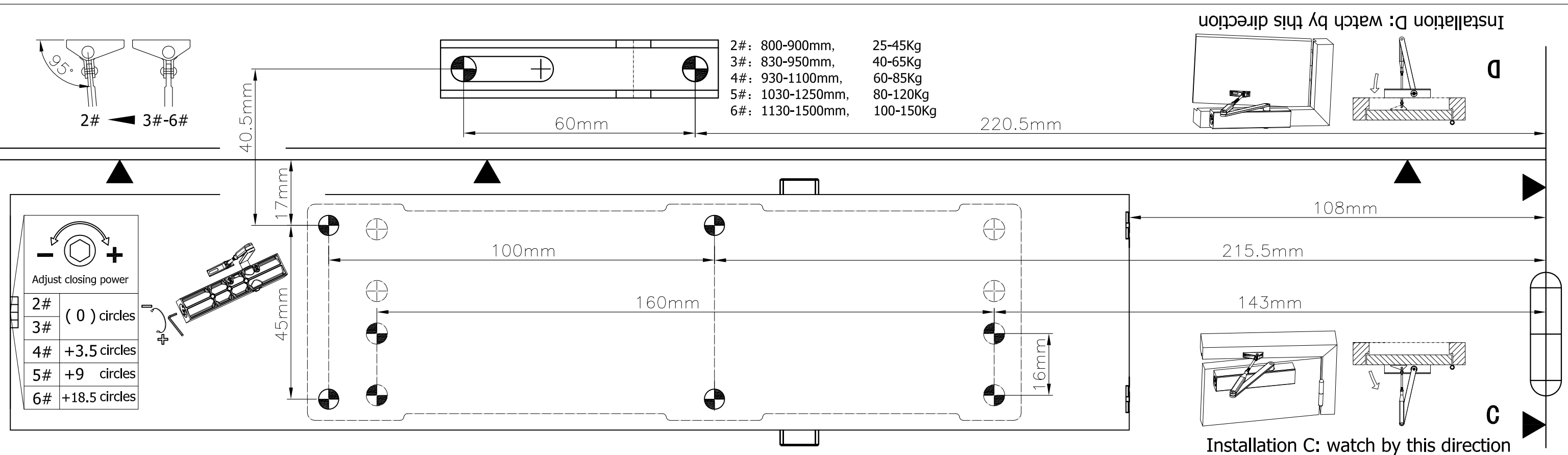


### Cautions!!!

1. Before the door closer is installed, it is strictly forbidden to turn the square head more than 180 degrees, otherwise the door closer will be damaged.
2. When the door closer arm is installed on the square head, it is strictly forbidden to knock it hard, otherwise the door closer will be damaged.
3. The door closer has an automatic door closing function. It is strictly forbidden to force the door to close by an external force, otherwise the door closer will be damaged.
4. After one month of initial installation and use, check whether the screws in each part are loose.
5. Due to the influence of the temperature difference between summer and winter every year, please pay attention to adjusting the closing speed.
6. When adjusting the speed, it is strictly forbidden to rotate the speed control valve higher than the surface of the body, otherwise, it will cause oil leakage.

# Hinge Right side

Item No.: 30602



1. Mounting the square head to the door frame using M5 screws.

2. Mounting the door closer arm to the square head using Ø3.5 screws.

3. Adjusting the door closer arm angle to 90°.

4. Adjusting the door closer arm angle for different door types: BC 60°-180° and DA 65°-180°.

5. Adjusting the door closer arm angle for different door types: BC 180°-60° and DA 180°-60°.

6. Adjusting the door closer arm angle for different door types: 1 65°-15°.

7. Adjusting the door closer arm angle for different door types: 2 15°-0°.

### Cautions!!!

1. Before the door closer is installed, it is strictly forbidden to turn the square head more than 180 degrees, otherwise the door closer will be damaged.
2. When the door closer arm is installed on the square head, it is strictly forbidden to knock it hard, otherwise the door closer will be damaged.
3. The door closer has an automatic door closing function. It is strictly forbidden to force the door to close by an external force, otherwise the door closer will be damaged.
4. After one month of initial installation and use, check whether the screws in each part are loose.
5. Due to the influence of the temperature difference between summer and winter every year, please pay attention to adjusting the closing speed.
6. When adjusting the speed, it is strictly forbidden to rotate the speed control valve higher than the surface of the body, otherwise, it will cause oil leakage.